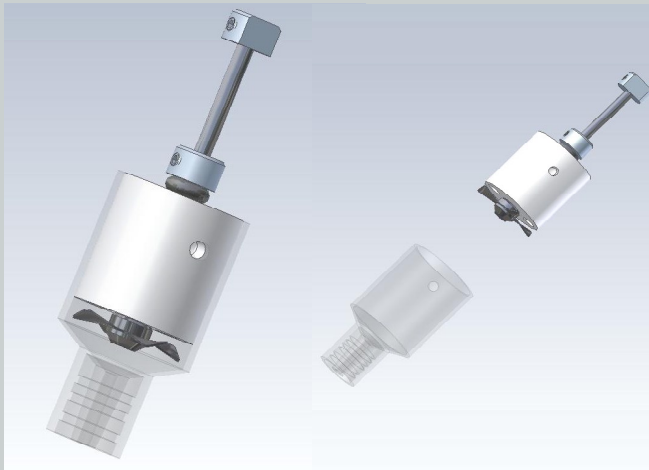


Volumetric dispensing of abrasive or anaerobic liquids

- **Problems with anaerobic materials?**
- **Is your dispenser obstructed due to loaded glues?**
- **Would you like to dispense solder paste with reliable and perfect repeatability?**
- **Would you like to dispense precise, small quantities?**
- **Would you like to dispense two-component products with precision but without pre-mixing?**

mta patented mixer



Manual CFD dispenser



Description

The new CFD (continuous flow dispenser) precision dispenser opens a new dimension for precise dispensing with loaded and two-component mediums! Constant and precise dispensing is always achieved within the same percentage of repeatability whether the cartridge is full or empty. No more pre-mixing of the two-components! Dispensing of larger quantities and continuous lines can also be achieved with in the usual mta quality.

Operating mode

The main component of the new CFD technology is a rotating, absolutely pressure-tight, displacement system consisting of a self-sealing rotor and stator. Products are dispensed through this system, which is continuous and pulsation-free. Furthermore the CFD two-component dispensing head is used for two-component applications where both products are mixed just before dispensing thanks to our patented dynamic mixer.

All parameters such as dispensing speed, snuff-back, mixing time, mixing speed, rinsing sequence, are adaptable to the dedicated application. Depending on the dispensing quantity, several sizes of the CFD dispenser are available.

Applications

Dot dispensing with high volumetric precision. A typical application is the dispensing of solder paste. **Line dispensing** with application speed adapted to the track speed e.g. for sealing application.

Filling with dynamic multicomponent mixing technique. e.g. for filling components.

Automation

The family of CFD dispensers can be integrated into our TR300 table top robot, RC500 robotic cell or into other robotic platforms. The handling and parameterization are carried out through our Windows based software. Compared to our other dispensing techniques, the CFD is also available as hand station/tool with user friendly controller.

Your next step

At mta you do not buy a dispensing robot but an automated dispensing process. Please send us some sample material! Our experts will setup the process in our labs and produce the parts accordingly. You can then decide if you are convinced with the process. Please feel free to contact Mr. Eidam, Area Sales Manager, if you need any further information by e-mail stefan.eidam@mta.ch or phone on +41 (0)32 338 82 82.